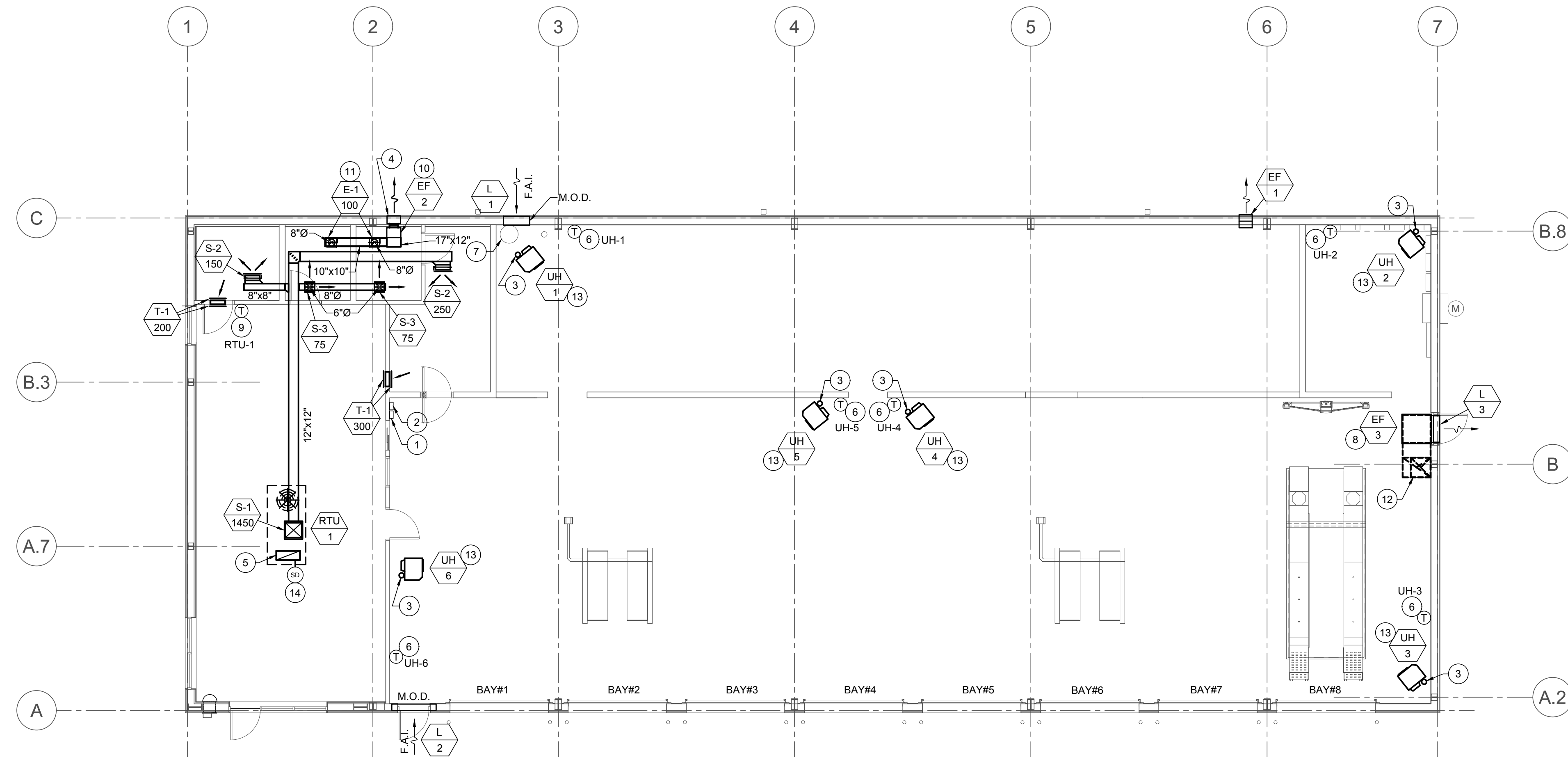


MECHANICAL SYMBOLS LIST			
SYMBOL	DESCRIPTION	SYMBOL	DESCRIPTION
	SUPPLY DUCTWORK		MANUAL VOLUME DAMPER
	RETURN DUCTWORK		FIRE DAMPER
	EXHAUST DUCTWORK		MOTOR OPERATED DAMPER
	SUPPLY DIFFUSER		FRESH AIR INTAKE
	RETURN GRILLE		TURNING VANES IN ELBOW
	EXHAUST GRILLE		SMOKE DETECTOR
	THERMOSTAT		DIFFUSER TYPE
	RISE IN DUCTWORK		DIFFUSER AIR QUANTITY
	DROP IN DUCTWORK		EQUIPMENT TYPE
			EQUIPMENT TAG

- ### MECHANICAL GENERAL NOTES
- PROVIDE TOXALERT, INC. VENTILATION CONTROL SYSTEM. COMPLETE WITH (1) CONTROL UNIT, MODEL (GVU-1) AND (1) CO SENSOR, MODEL (GVU-CO), (RANGE 0 TO 250 PPM). PROVIDE OPTIONAL AUDIBLE ALARM WITH SILENCE SWITCH FOR SECOND STAGE ALARM LEVELS AND LABELED LED INDICATORS ON FACE OF CONTROLLER (POWER ON, FAN ON AND POWER TO SENSOR). REMOTE SENSOR SHALL BE TEMPERATURE AND HUMIDITY COMPENSATED AND COMPLETE WITH LED'S INDICATING: NORMAL OPERATION, HIGH CO AND MALFUNCTION. CONTROL UNIT SHALL INCLUDE MEANS TO OPERATE EXHAUST FANS ON A TIME BASIS WITHOUT HIGH CO LEVELS.
 - VERIFY DIMENSIONS OF UNIT HEATER LOCATION WITH MANUFACTURER BEFORE INSTALLATION AND COORDINATE WITH LIFT INSTALLER.
 - NO GOOSE NECK OR DOWNTURNS ON LOUVERS OR VENT COVERS TO BE USED.
 - VENTS, LOUVERS ETC. NOT TO CONFLICT WITH SIGN LOCATIONS. COORDINATE ALL PENETRATIONS WITH ARCHITECTURAL ELEVATIONS, SIGNAGE DRAWINGS AND GENERAL CONTRACTOR PRIOR TO ROUGH IN.
 - COORDINATE ALL VENT AND EXHAUST FAN PENETRATIONS THRU THE ROOF, WALLS AND FLOORS WITH GENERAL CONTRACTOR PRIOR TO INSTALLATION.
 - REFER TO FIXTURE PLAN SHEET FOR FINAL LOCATIONS AND QUANTITIES OF ALL OPERATIONS EQUIPMENT.
 - ALL DUCTWORK SHALL BE CONSTRUCTED OF GALVANIZED STEEL SHEET METAL AND SHALL BE FABRICATED ACCORDING TO THE LATEST EDITION OF THE SMACNA HVAC DUCT CONSTRUCTION STANDARD OF METAL AND FLEXIBLE DUCTWORK. UNDER NO CIRCUMSTANCE SHALL DUCT BOARD BE ALLOWED.
 - ALL DUCTWORK DIMENSIONS SHOWN ON PLANS ARE CLEAR DIMENSIONS. WHERE INTERNAL DUCT LINER IS REQUIRED BY SPECIFICATIONS, CONTRACTOR SHALL ADJUST DUCTWORK SIZES ACCORDINGLY.
 - ALL INSULATION, JOINING MATERIALS, SEALER, ETC. SHALL HAVE A U.L. FLAME SPREAD CLASSIFICATION OF NO MORE THAN 25 AND A SMOKE DEVELOPMENT RATING NOT MORE THAN 50.
 - ALL EXPOSED DUCTWORK SHALL BE INTERNALLY LINED. REFER TO SPECIFICATIONS FOR DUCT LINER SPECIFIC REQUIREMENTS.

- ### KEYED PLAN NOTES - THIS SHEET
- TOXALERT CONTROLLER. SEE MECHANICAL GENERAL NOTES FOR FURTHER INFORMATION.
 - TOXALERT CO SENSOR. MOUNT AT 6'-0" A.F.F. SET SENSOR AT 50 ppm. SEE SPECIFICATIONS FOR FURTHER INFORMATION.
 - CONCENTRIC FLUE UP THRU ROOF. REFER TO MANUFACTURER'S INSTALLATION INSTRUCTIONS AND DETAIL ON SHEET M2 FOR FURTHER INFORMATION.
 - MANUFACTURER SUPPLIED RESTROOM EXHAUST FAN LOUVERED BRICK VENT. COORDINATE LOCATION AND SIZE OF BRICK VENT WITH FLOOR PLAN, BUILDING STRUCTURE AND GENERAL CONTRACTOR PRIOR TO ORDERING AND INSTALLATION. VENT SHALL BE PRIMED FOR FIELD PAINTING.
 - ROUTE RETURN DUCT 6" BELOW DECK, END OPEN AND COVER WITH 1/2"x1/2" GALVANIZED HARDWARE CLOTH.
 - THERMOSTAT SUPPLIED BY MANUFACTURER WITH EACH PIECE OF EQUIPMENT. THERMOSTAT TO BE INSTALLED ON AN INSULATED SUBBASE PER MANUFACTURER'S INSTALLATION INSTRUCTIONS AND MOUNTED SO THAT THE HIGHEST OPERABLE CONTROL IS NOT MORE THAN 48" AFF. COORDINATE MOUNTING LOCATION SO THERMOSTAT IS NOT LOCATED BEHIND SERVICE EQUIPMENT.
 - ROUTE WATER HEATER FLUE AND INTAKE TIGHT TO WALL. TERMINATE THROUGH ROOF WITH CONCENTRIC VENT KIT. INSTALL PER MANUFACTURER'S INSTRUCTIONS AND PROVIDE REQUIRED CLEARANCES FROM WALL AND ROOF.
 - SERVICE BAY EXHAUST FAN SHALL BE MOUNTED IN ELBOW OF DUCTWORK WITH THE FAN HAVING A BOTTOM INLET AND SIDE DISCHARGE. COORDINATE MOUNTING HEIGHT AND LOCATION WITH LOUVER LOCATION SHOWN ON ELEVATIONS. FAN SHALL BE MOUNTED AS HIGH AS POSSIBLE. COORDINATE WITH ALL DISCIPLINES PRIOR TO INSTALLATION.
 - THE CONTRACTOR SHALL FURNISH HONEYWELL T7300 THERMOSTAT (OR EQUAL) WITH INSULATED SUBBASE. THERMOSTAT TO BE 7 DAY PROGRAMMABLE WITH 4 SETBACK PERIODS PER DAY. THERMOSTAT TO BE INSTALLED PER MANUFACTURER'S INSTALLATION INSTRUCTIONS. MOUNT THERMOSTAT SO THAT THE HIGHEST OPERABLE CONTROL IS NOT MORE THAN 48" AFF.
 - MOUNT RESTROOM EXHAUST FAN TO STRUCTURE AS HIGH AS POSSIBLE PER MANUFACTURER'S INSTALLATION INSTRUCTIONS. TRANSITION EXHAUST DUCT AS REQUIRED FROM FAN TO LOUVERED BRICK VENT ON EXTERIOR WALL.
 - ROUTE RESTROOM EXHAUST DUCT TIGHT TO WALL. TAP DUCT FROM EACH RESTROOM TO MAIN EXHAUST DUCT ABOVE.
 - DROP 24"x24" EXHAUST DUCT DOWN IN LOCATION SHOWN. INSTALL DUCTWORK TIGHT TO WALL AND TRANSITION AS REQUIRED TO FAN. TERMINATE AT 3" A.F.F. REFER TO DETAIL ON SHEET M2 FOR FURTHER INFORMATION.
 - MOUNT GAS FIRED UNIT HEATER TO STRUCTURE AS HIGH AS POSSIBLE PER MANUFACTURER'S INSTALLATION INSTRUCTIONS. REFER TO DETAIL ON SHEET M2 FOR ADDITIONAL INFORMATION.
 - RETURN AIR SMOKE DETECTOR. CONTRACTOR SHALL COORDINATE INSTALLATION AND WIRING REQUIREMENTS WITH FIRE ALARM DRAWINGS AND SPECIFICATIONS.

NOTE:
 CONTRACTOR SHALL REFER TO SHEET A3 -
 ROOF PLAN FOR ACCEPTABLE APPROXIMATE
 LOCATIONS OF ROOF PENETRATIONS.



1
M1 MECHANICAL PLAN
 SCALE: 1/8" = 1'-0"



THIS DRAWING IS THE PROPERTY OF BRIDGESTONE RETAIL OPERATIONS, LLC AND IS LOANED ON THE EXPRESS CONDITION THAT IT IS NOT TO BE USED IN ANY WAY BEYOND THE INTERESTS OF BRIDGESTONE RETAIL OPERATIONS, LLC. ANY REUSE OR REPRODUCTION OF THIS DRAWING WITHOUT THE WRITTEN PERMISSION OF BRIDGESTONE RETAIL OPERATIONS, LLC IS STRICTLY PROHIBITED AND WILL BE CONSIDERED A VIOLATION OF THE EXCLUSIVE OWNERSHIP IN AND TO THE DRAWING BY BRIDGESTONE RETAIL OPERATIONS, LLC.

NEW FCAC STORE
 2017 - DECEMBER - ER - RIGHT
 4628 TROPEA WAY
 JACKSONVILLE, FL



ISSUE BLOCK	

PROPERTY NO.:	167845
6 DIGIT NO.:	786365
4 DIGIT NO.:	6870
AOR PROJECT NUMBER:	1555083
TO PERMIT:	DATE: 09/26/18
TO BID:	DATE: TBD

SHEET TITLE:
MECHANICAL PLAN AND NOTES

SHEET NUMBER:
M1

VENTILATION SCHEDULE PER 2014 FLORIDA MECHANICAL CODE													
ROOM No.	ROOM NAME	CATEGORY	FLOOR AREA SQ. FT.	ORDINANCE REQUIREMENT				ACTUAL VENT.			EXHAUST FAN NUMBER	SUPPLY UNIT NUMBER	REMARKS
				NUMBER OF OCCUPANTS AND/OR FIXTURES	AREA OUTDOOR AIRFLOW RATE	PEOPLE OUTDOOR AIRFLOW RATE	REQUIRED VENTILATION OR EXHAUST (CFM)	SUPPLY CFM	OUTSIDE AIR CFM	EXHAUST CFM			
100	CUSTOMER SHOWROOM	RETAIL	777	12	0.12 CFM PER SQUARE FEET	7.5 CFM PER PERSON	185	1450	185	---	---	RTU-1	
102	OFFICE	OFFICE	63	1	0.06 CFM PER SQUARE FEET	5 CFM PER PERSON	9	150	15	---	---	RTU-1	
103	UNISEX TOILET ROOM	TOILET ROOMS	50	1 FIXTURE	70 CFM PER FIXTURE	---	70	75	---	100	---	RTU-1	EF-2 CONTROLLED BY TOILET ROOM LIGHTS
104/105	CLEAN UP / BREAK AREA	DINING ROOM	143	4	0.18 CFM PER SQUARE FEET	7.5 CFM PER PERSON	56	250	75	---	---	RTU-1	
106/107	SHOP TOILET	TOILET ROOMS	50	1 FIXTURE	70 CFM PER FIXTURE	---	70	75	---	100	---	RTU-1	EF-2 CONTROLLED BY TOILET ROOM LIGHTS
108	SERVICE AREA	AUTOMOTIVE SERVICE STATION	3283	---	1.5 CFM PER SQUARE FEET	---	4928	---	5200	5200	---	---	EF-3 CONTROLLED BY CO SENSOR
109	INVENTORY	WAREHOUSE	1385	---	0.06 CFM PER SQUARE FEET	---	84	---	300	300	---	---	EF-1 CONTROLLED BY MOTION SENSOR
110/111	USED INVENTORY/ UTILITY AREA	WAREHOUSE	217	---	0.06 CFM PER SQUARE FEET	---	13	---	---	---	---	---	UNOCCUPIED - NO REQUIREMENT
	TOTAL						6244	2000	5775	5700			

AIR DISTRIBUTION DEVICE SCHEDULE							
MARK	TYPE	MANUFACTURER	MODEL #	FACE	STYLE	BORDER TYPE	FINISH
S-1	SUPPLY	AES	ADB-1	6x12	DROP BOX	DUCT MOUNT	PAINT PER ARCHITECTURAL PLANS
S-2	SUPPLY	TITUS	300RL	18x6	LOUVERED	DUCT MOUNT	PAINT PER ARCHITECTURAL PLANS
S-3	SUPPLY	TITUS	TMS	12x12	LOUVERED	SURFACE MOUNT (TYPE 1)	PAINT PER ARCHITECTURAL PLANS
T-1	TRANSFER	TITUS	350RL	18x6	LOUVERED	SURFACE MOUNT (TYPE 1)	PAINT PER ARCHITECTURAL PLANS
E-1	EXHAUST	TITUS	350	12x12	LOUVERED	SURFACE MOUNT (TYPE 1)	PAINT PER ARCHITECTURAL PLANS

ACCEPTABLE MANUFACTURERS FOR EQUIVALENT OF SCHEDULE PRODUCT (NO OTHER SUBSTITUTIONS WILL BE ALLOWED):
 * KRUEGER * TUTTLE & BAILEY
 * MESTEK * CARNES

NOTES:
 - ROUND CONNECTION TO MATCH ROUND DUCT DIMENSION AS SHOWN ON FLOOR PLAN.
 - SUPPLY AND RETURN AIR DIFFUSERS SHALL BE SELECTED AT A MAX NOISE CRITERIA OF 30.

GAS FIRED UNIT HEATER SCHEDULE												
TAG	AREA SERVING	MFR.	MODEL	MBH INPUT	MBH OUTPUT	AFUE	CFM	WEIGHT	MOTOR			
									FLA	MOCP	PHASE	VOLTS
UH-1	INVENTORY	REZNOR	UDAS30	30	26.4	82	456	55	1.9	15	1	115
UH-2	USED INVENTORY	REZNOR	UDAS30	30	26.4	82	456	55	1.9	15	1	115
UH-3	SERVICE BAYS	REZNOR	UDAS30	30	26.4	82	456	55	1.9	15	1	115
UH-4	SERVICE BAYS	REZNOR	UDAS30	30	26.4	82	456	55	1.9	15	1	115
UH-5	SERVICE BAYS	REZNOR	UDAS30	30	26.4	82	456	55	1.9	15	1	115
UH-6	SERVICE BAYS	REZNOR	UDAS30	30	26.4	82	456	55	1.9	15	1	115

ACCEPTABLE MANUFACTURERS FOR EQUIVALENT OF SCHEDULE PRODUCT (NO OTHER SUBSTITUTIONS WILL BE ALLOWED):
 * STERLING * LENNOX
 * MODINE

NOTES:
 1. UNIT SHALL BE COMPLETE WITH CONTROL TRANSFORMER RELAY PACKAGE, 24V REVERSE ACTING THERMOSTAT WITH NIGHT SETBACK.
 2. PROVIDE SHUTOFF COCK AT EACH BURNER.
 3. UNIT TO HAVE VERTICAL VENT TERMINAL AND CONCENTRIC ADAPTER.
 4. VIBRATION ISOLATION HANGER RODS OR APPROVED EQUAL.

GAS FIRED ROOFTOP UNIT SCHEDULE																	
TAG	MFR.	MODEL	NOMINAL TON	ENTERING AIR CONDITIONS	ARI EER	SUPPLY CFM	RETURN CFM	O.A. CFM	TOTAL S.P.	FAN MOTOR HP	GAS MBH		ELECTRICAL DATA				WT.
											INPUT	OUTPUT	VOLTS	PHASE	FLA	MOCP	
RTU-1	LENNOX	KGA060	5	77.5°F DB 64.6°F WB @ 95°F AMBIENT	11.2	2000	1725	275	0.8	1	108	86	208	30	20.8	35	1000

ACCEPTABLE MANUFACTURERS FOR EQUIVALENT OF SCHEDULE PRODUCT (NO OTHER SUBSTITUTIONS WILL BE ALLOWED):
 * CARRIER * YORK
 * TRANE

NOTES:
 1. MECHANICAL UNIT SHALL BE INSTALLED PER MANUFACTURER'S INSTALLATION INSTRUCTIONS.
 2. PROVIDE UNIT WITH UNPOWERED GFCI CONVENIENCE OUTLET.
 3. INSTALL NEW FILTERS IN UNIT AFTER ALL DUCTWORK HAS BEEN COMPLETED AND PRIOR TO TEST AND BALANCING OF UNIT.
 4. PROVIDE WITH DIFFERENTIAL ENTHALPY TYPE ECONOMIZER WITH BAROMETRIC RELIEF DAMPER.
 5. PROVIDE UNIT WITH 14" HIGH ROOF CURB WITH SECURITY BARS.
 6. PROVIDE UNIT WITH FACTORY INSTALLED HINGED ACCESS PANELS.
 7. PROVIDE FACTORY MOUNTED DISCONNECT

EXHAUST FAN SCHEDULE									
TAG	DESCRIPTION	MFR.	MODEL	CFM	ESP	MOTOR			NOTES
						HP / WATTS	PHASE	VOLTS	
EF-1	INVENTORY PROPELLER FAN	COOK	10XP24D103	300	.15	1/20	1	115	1, 6, 8, 9
EF-2	TOILET EXHAUST FAN	COOK	GN-620	200	.375	316 WATTS	1	115	3, 5, 6
EF-3	SERVICE AREA EXHAUST FAN	COOK	24SSQN-B	5200	1.0	2.0	3	208	2, 4, 6, 7

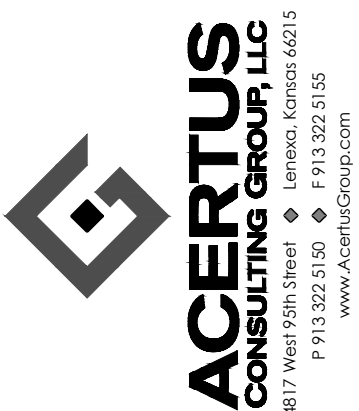
ACCEPTABLE MANUFACTURERS FOR EQUIVALENT OF SCHEDULE PRODUCT (NO OTHER SUBSTITUTIONS WILL BE ALLOWED):
 * GREENHECK * PENN

NOTES:
 1. ALL PROPELLER FANS TO BE COMPLETE WITH WALL COLLAR, SIDE GUARD, BACK DRAFT DAMPER AND SPEED CONTROLLER.
 2. ALL THREE PHASE EXHAUST FANS ARE TO BE COMPLETE WITH COMBINATION MAGNETIC MOTOR STARTER. REFER TO ELECTRICAL DRAWINGS FOR ADDITIONAL INFORMATION.
 3. INTERLOCKED WITH TOILET ROOM LIGHTING. SEE ELECTRICAL DRAWINGS FOR MORE INFORMATION.
 4. ACTIVATED BY C.O. SENSOR. MOUNT FAN AS HIGH AS POSSIBLE.
 5. RESTROOM INLINE FAN TO BE PROVIDED WITH HANGING ISOLATOR KIT, SUSPENSION RODS, SPEED CONTROLLER, GRAVITY BACKDRAFT DAMPER AND LOUVERED BRICK VENT - MODEL BVS-, PRIMED FINISH, FOR FIELD PAINTING TO MATCH WALL COLOR.
 6. ALL DISCONNECTS PROVIDED BY ELECTRICAL CONTRACTOR.
 7. SERVICE BAY INLINE FAN TO BE COMPLETE WITH VIBRATION ISOLATION, SUSPENSION RODS, FLANGE DUCT CONNECTION, SIDE DISCHARGE PACKAGE AND BELT GUARD.
 8. EXHAUST FAN ASSEMBLY SHALL BE SHIPPED "PRIMED" FOR FIELD PAINTING. COORDINATE COLOR WITH GENERAL CONTRACTOR.
 9. INTERLOCK WITH ROOM LIGHT MOTION SENSORS. SEE ELECTRICAL DRAWINGS FOR MORE INFORMATION.

LOUVER SCHEDULE												
TAG	DESCRIPTION	MFR.	MODEL	CFM	SIZE		FREE AREA	DAMPER				NOTES
					W	H		HP	PHASE	VOLTS	MODEL	
L-1	INVENTORY INTAKE LOUVER	RUSKIN	ELF375DXD	300	18 x 18	0.65	FRAC.	1	115	---	---	2,3,5,6,7
L-2	SERVICE AREA INTAKE LOUVER	RUSKIN	ELF375DXD	5200	54 x 48	8.91	FRAC.	1	115	---	---	2,4,5,6,7
L-3	SERVICE AREA EXHAUST LOUVER	RUSKIN	ELF375DXD	5200	36 x 30	3.30	---	---	---	---	---	1,2,5

ACCEPTABLE MANUFACTURERS FOR EQUIVALENT OF SCHEDULE PRODUCT (NO OTHER SUBSTITUTIONS WILL BE ALLOWED):
 * GREENHECK

NOTES:
 1. DRAINABLE COMBINATION LOUVER PROVIDED WITH A GRAVITY BACKDRAFT DAMPER.
 2. LOUVERS TO BE PRIMED FOR FIELD PAINTING AND PROVIDED WITH BIRD / INSECT SCREEN.
 3. DRAINABLE COMBINATION LOUVER WITH 120 VOLT MOTORIZED DAMPER INTERLOCKED WITH EF-1.
 4. DRAINABLE COMBINATION LOUVER WITH 120 VOLT MOTORIZED DAMPER INTERLOCKED WITH EF-3.
 5. COORDINATE MOUNTING LOCATION WITH ARCHITECTURAL ELEVATIONS AND GENERAL CONTRACTOR.
 6. ALL MOTORIZED DAMPERS SHALL BE WIRED TO BE OPEN WHEN CORRESPONDING EQUIPMENT IS ENERGIZED.
 7. ALL DAMPERS SHALL DEFAULT TO SPRING SHUT WHEN POWER LOSS OCCURS OR WHEN NOT IN USE.



THIS DRAWING IS THE PROPERTY OF BRIDGESTONE RETAIL OPERATIONS, LLC AND IS LOANED ON THE EXPRESS CONDITION THAT IT IS NOT TO BE USED IN ANY WAY BEYOND THAT OF THE INTERESTS OF BRIDGESTONE RETAIL OPERATIONS, LLC. IT IS TO BE RETURNED TO BRIDGESTONE RETAIL OPERATIONS, LLC AT THE END OF THE PROJECT. ANY REUSE OR MODIFICATION OF THIS DRAWING WITHOUT THE WRITTEN PERMISSION OF BRIDGESTONE RETAIL OPERATIONS, LLC IS STRICTLY PROHIBITED. BRIDGESTONE RETAIL OPERATIONS, LLC ASSUMES NO LIABILITY FOR ANY ERRORS OR OMISSIONS IN THIS DRAWING. THE USER OF THIS DRAWING FOR ANY OTHER PROJECT REQUIRES THE SERVICES OF A REGISTERED PROFESSIONAL ENGINEER OR ARCHITECT. BRIDGESTONE RETAIL OPERATIONS, LLC IS NOT RESPONSIBLE FOR ANY SUCH PROJECTS. BRIDGESTONE RETAIL OPERATIONS, LLC IS NOT A CONTRACTOR AND DOES NOT PROVIDE CONTRACTOR SERVICES. BRIDGESTONE RETAIL OPERATIONS, LLC IS NOT A LICENSED PROFESSIONAL ENGINEER OR ARCHITECT. BRIDGESTONE RETAIL OPERATIONS, LLC IS NOT A LICENSED CONTRACTOR. BRIDGESTONE RETAIL OPERATIONS, LLC IS NOT A LICENSED MECHANICAL ENGINEER. BRIDGESTONE RETAIL OPERATIONS, LLC IS NOT A LICENSED ELECTRICAL ENGINEER. BRIDGESTONE RETAIL OPERATIONS, LLC IS NOT A LICENSED PLUMBING ENGINEER. BRIDGESTONE RETAIL OPERATIONS, LLC IS NOT A LICENSED MECHANICAL CONTRACTOR. BRIDGESTONE RETAIL OPERATIONS, LLC IS NOT A LICENSED ELECTRICAL CONTRACTOR. BRIDGESTONE RETAIL OPERATIONS, LLC IS NOT A LICENSED PLUMBING CONTRACTOR. BRIDGESTONE RETAIL OPERATIONS, LLC IS NOT A LICENSED MECHANICAL DESIGNER. BRIDGESTONE RETAIL OPERATIONS, LLC IS NOT A LICENSED ELECTRICAL DESIGNER. BRIDGESTONE RETAIL OPERATIONS, LLC IS NOT A LICENSED PLUMBING DESIGNER. BRIDGESTONE RETAIL OPERATIONS, LLC IS NOT A LICENSED MECHANICAL ESTIMATOR. BRIDGESTONE RETAIL OPERATIONS, LLC IS NOT A LICENSED ELECTRICAL ESTIMATOR. BRIDGESTONE RETAIL OPERATIONS, LLC IS NOT A LICENSED PLUMBING ESTIMATOR. BRIDGESTONE RETAIL OPERATIONS, LLC IS NOT A LICENSED MECHANICAL SUPERVISOR. BRIDGESTONE RETAIL OPERATIONS, LLC IS NOT A LICENSED ELECTRICAL SUPERVISOR. BRIDGESTONE RETAIL OPERATIONS, LLC IS NOT A LICENSED PLUMBING SUPERVISOR. BRIDGESTONE RETAIL OPERATIONS, LLC IS NOT A LICENSED MECHANICAL INSPECTOR. BRIDGESTONE RETAIL OPERATIONS, LLC IS NOT A LICENSED ELECTRICAL INSPECTOR. BRIDGESTONE RETAIL OPERATIONS, LLC IS NOT A LICENSED PLUMBING INSPECTOR. BRIDGESTONE RETAIL OPERATIONS, LLC IS NOT A LICENSED MECHANICAL ESTIMATOR. BRIDGESTONE RETAIL OPERATIONS, LLC IS NOT A LICENSED ELECTRICAL ESTIMATOR. BRIDGESTONE RETAIL OPERATIONS, LLC IS NOT A LICENSED PLUMBING ESTIMATOR. BRIDGESTONE RETAIL OPERATIONS, LLC IS NOT A LICENSED MECHANICAL SUPERVISOR. BRIDGESTONE RETAIL OPERATIONS, LLC IS NOT A LICENSED ELECTRICAL SUPERVISOR. BRIDGESTONE RETAIL OPERATIONS, LLC IS NOT A LICENSED PLUMBING SUPERVISOR. BRIDGESTONE RETAIL OPERATIONS, LLC IS NOT A LICENSED MECHANICAL INSPECTOR. BRIDGESTONE RETAIL OPERATIONS, LLC IS NOT A LICENSED ELECTRICAL INSPECTOR. BRIDGESTONE RETAIL OPERATIONS, LLC IS NOT A LICENSED PLUMBING INSPECTOR.

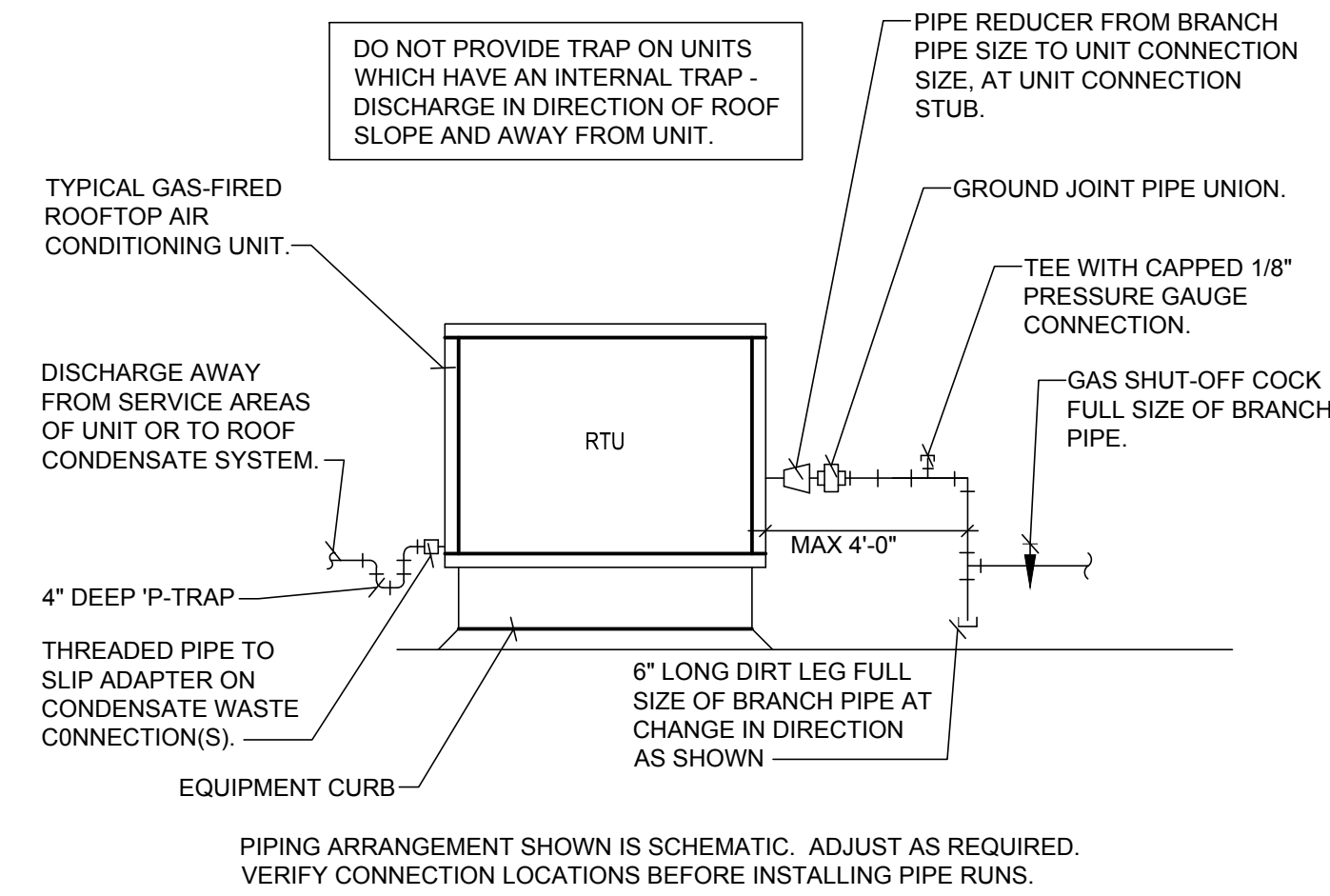
NEW FCAC STORE
 2017 - DECEMBER - ER - RIGHT
 4628 TROPEA WAY
 JACKSONVILLE, FL



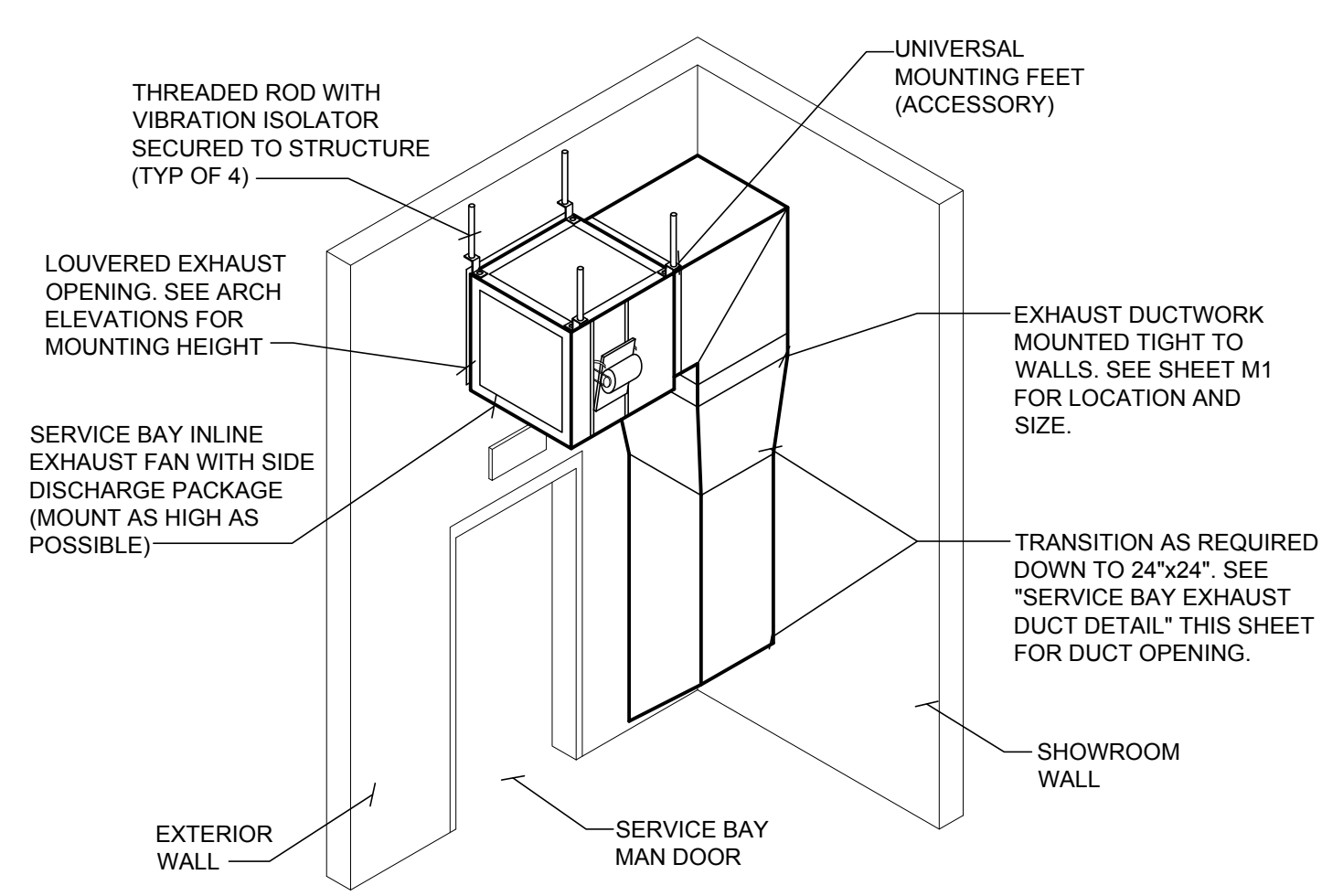
PROPERTY NO.:	167845
6 DIGIT NO.:	786365
4 DIGIT NO.:	6870
AOR PROJECT NUMBER:	1555083
TO PERMIT:	DATE: 09/26/18
TO BID:	DATE: TBD

SHEET TITLE:
MECHANICAL EQUIPMENT SCHEDULES

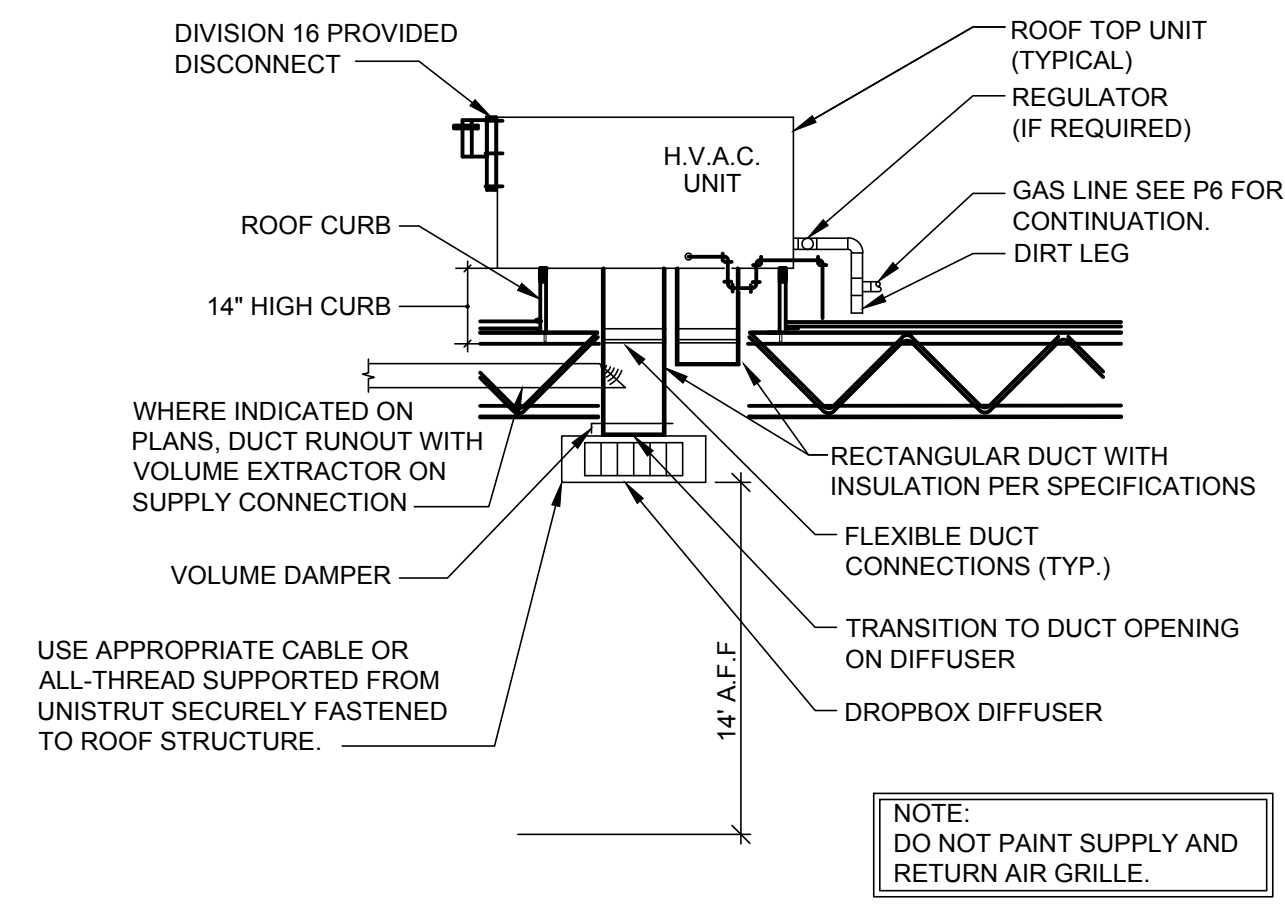
SHEET NUMBER:
M3



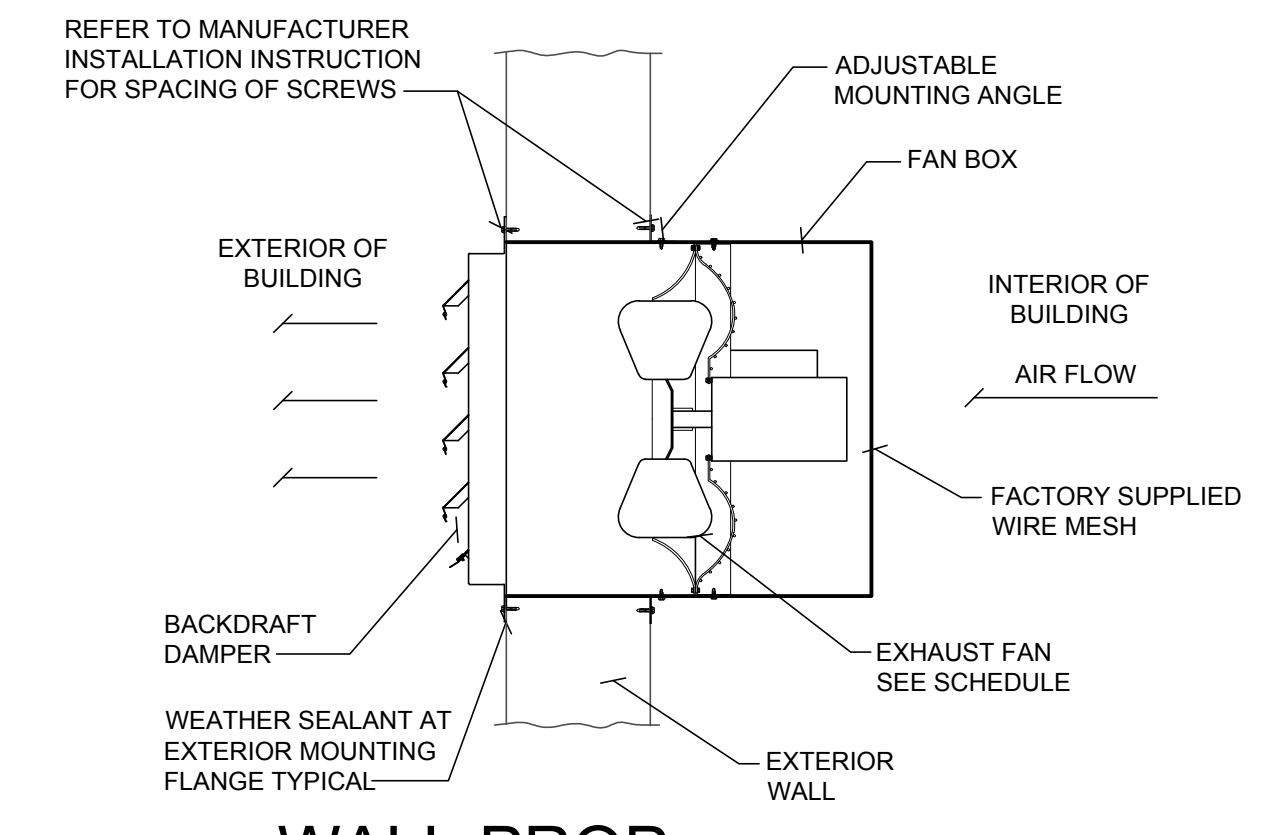
1
M2 N.T.S.
ROOFTOP UNIT PIPING DETAIL



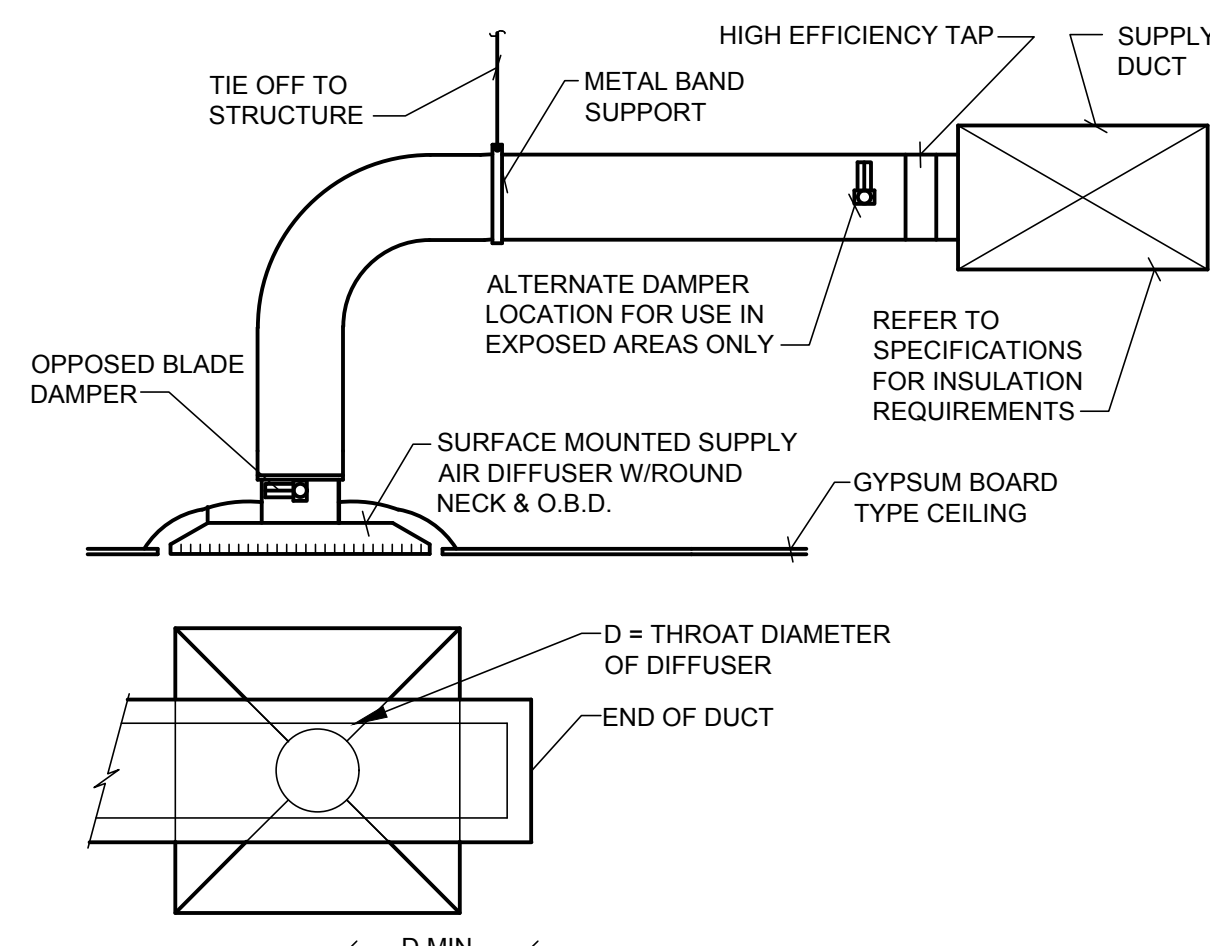
2
M2 N.T.S.
SERVICE BAY EXHAUST FAN



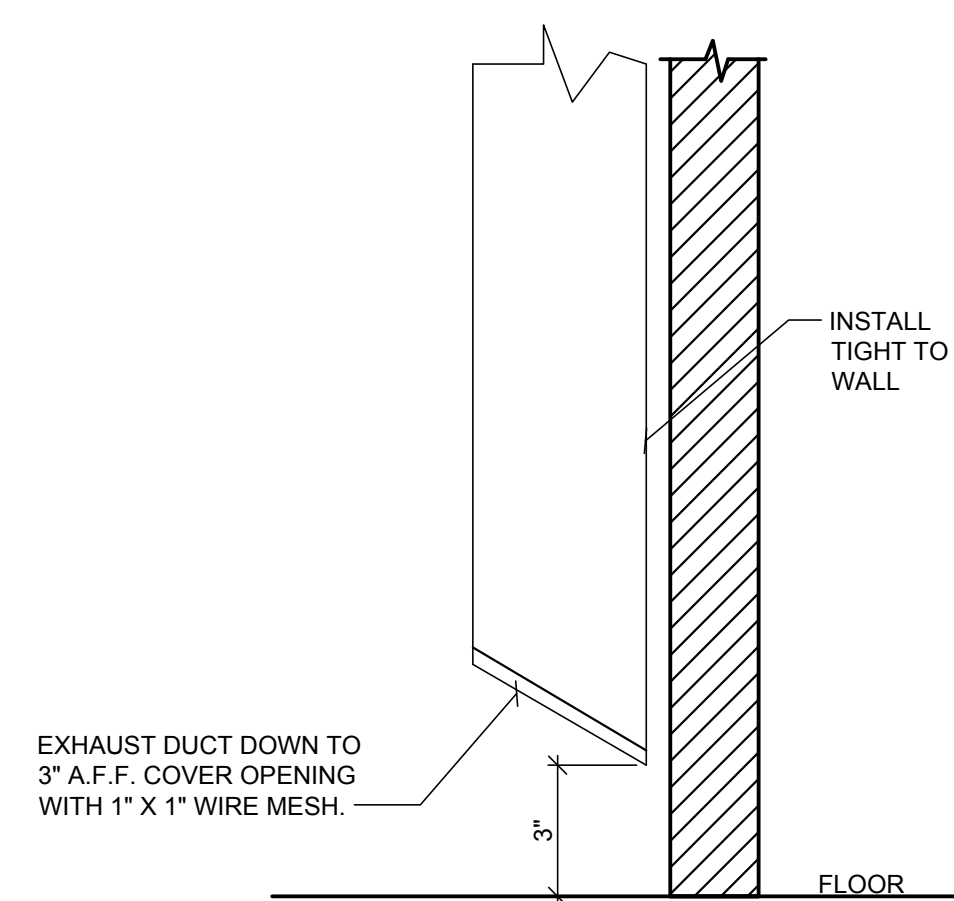
3
M2 N.T.S.
RTU PACKAGE HVAC DETAIL



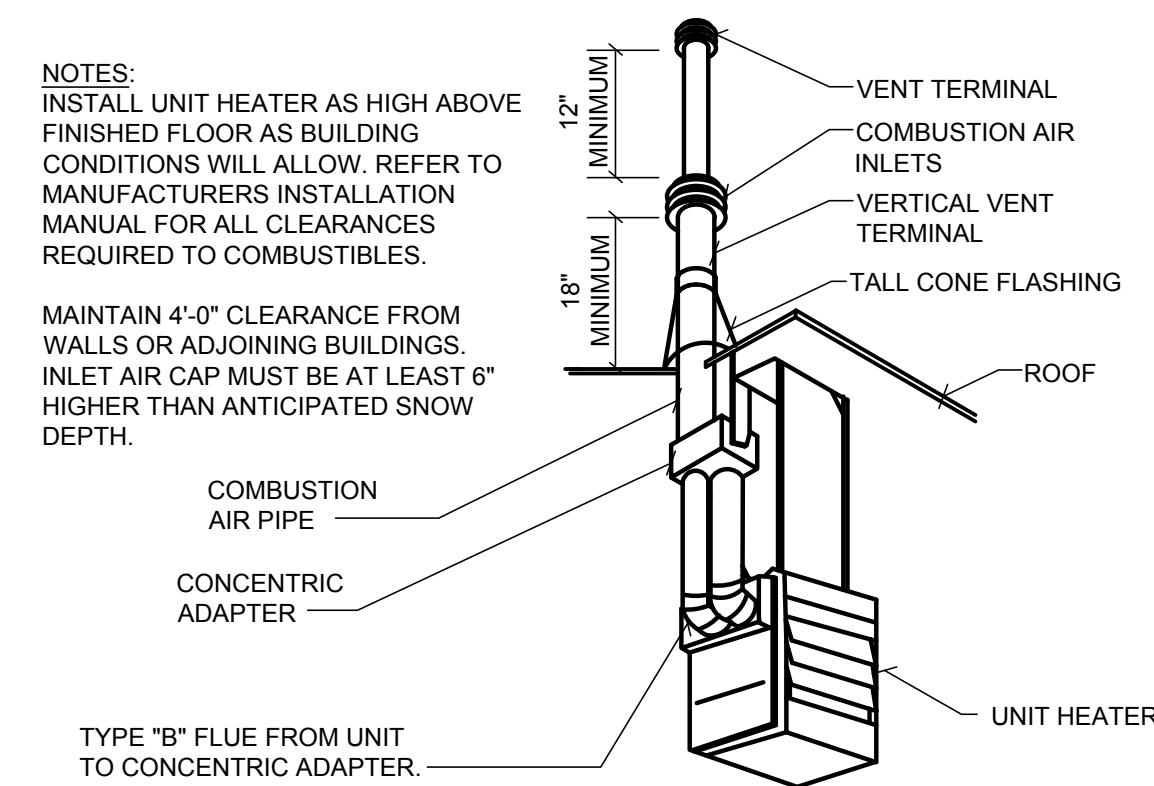
4
M2 N.T.S.
WALL PROP EXHAUST FAN DETAIL



5
M2 N.T.S.
SUPPLY AIR DIFFUSER DETAIL



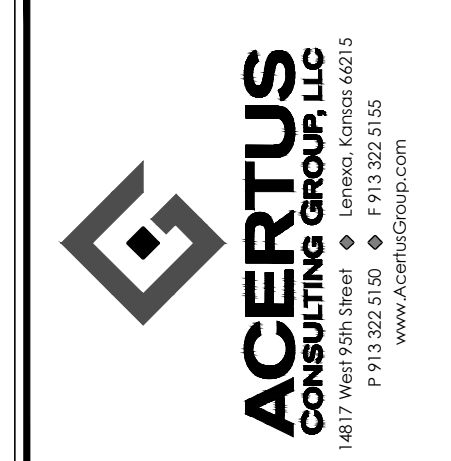
6
M2 N.T.S.
SERVICE BAY EXHAUST DUCT DETAIL



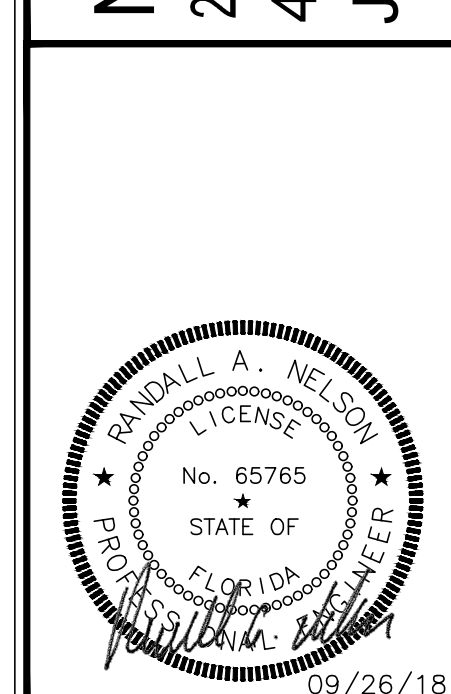
7
M2 N.T.S.
UNIT HEATER CONCENTRIC FLUE DETAIL

GENERAL DETAIL NOTES

- SUSPEND UNIT HEATERS FROM UNISTRUT CHANNELS MOUNTED TO ROOF TRUSS WITH VIBRATION ISOLATORS EQUIPPED HANGER RODS OR AN APPROVED EQUAL METHOD.
- ALL EQUIPMENT FURNISHED BY CONTRACTOR SHALL HAVE MAGNETIC STARTERS OF SIZE AND CAPACITIES AS REQ'D. FOR PROPER EQUIPMENT OPERATION. FURNISH WEATHERPROOF BOXES (NEMA 3R) FOR EXTERIOR USE.
- EXTEND ALL METALBESTOS FLUES OF DIAMETERS SHOWN THROUGH ROOF TO HEIGHT REQUIRED BY CODE WITH ALUMINUM ROUND TOP. PROVIDE VENTILATING THIMBLE THROUGH ROOF FOR CLEARANCE AROUND STACK AND SUPPORT SECURELY. PROVIDE WEATHER TIGHT RAIN COLLAR AND FLASHING AT PENETRATION.
- ALL THERMOSTATS TO BE FURNISHED BY HVAC CONTRACTOR TO ELECTRICAL CONTRACTOR FOR INSTALLATION.
- FURNISH AND INSTALL UL RATED FIRE DAMPERS W/FUSIBLE LINKS AND ACCESS PANELS IN DUCT WORK AT PENETRATIONS OF FIRE RATE ASSEMBLIES AS REQUIRED BY CODE.
- WIRING SCHEMATICS OF ALL HVAC EQUIPMENT SHALL BE FURNISHED BY HVAC CONTRACTOR TO ELECTRICAL CONTRACTOR.
- ADJUST ALL FANS TO PROPER RPM TO ASSURE CFM REQUIRED AND BALANCE ALL GRILLES AND DIFFUSERS TO CFM SHOWN ON DRAWINGS. (±5%)
- WHERE DRAWINGS AND SPECIFICATIONS EXCEED GOVERNING CODE REQUIREMENTS, DESIGN SHALL GOVERN. INSTALL NO WORK CONTRARY TO OR BELOW MINIMUM LEGAL STANDARDS, WHETHER DRAWINGS AND SPECIFICATIONS FULLY COMPLY OR NOT.
- ROUTE ALL PIPING TIGHT TO CEILING AND WALLS, PARALLEL AND PERPENDICULAR TO BUILDING STRUCTURE WHERE POSSIBLE.
- ALL SHUT OFF VALVES TO BE ACCESSIBLE TO ASSOCIATES WITHOUT THE USE OF A LADDER OR STEP-STOOL.



NEW FCAC STORE
2017 - DECEMBER - ER - RIGHT
4628 TROPEA WAY
JACKSONVILLE, FL



ISSUE BLOCK	

PROPERTY NO.:	167845
6 DIGIT NO.:	786365
4 DIGIT NO.:	6870
AOR PROJECT NUMBER:	1555083
TO PERMIT:	DATE: 09/26/18
TO BID:	DATE: TBD

SHEET TITLE:
MECHANICAL DETAILS

SHEET NUMBER:
M2